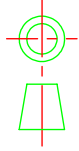


IF IN DOUBT, ASK.

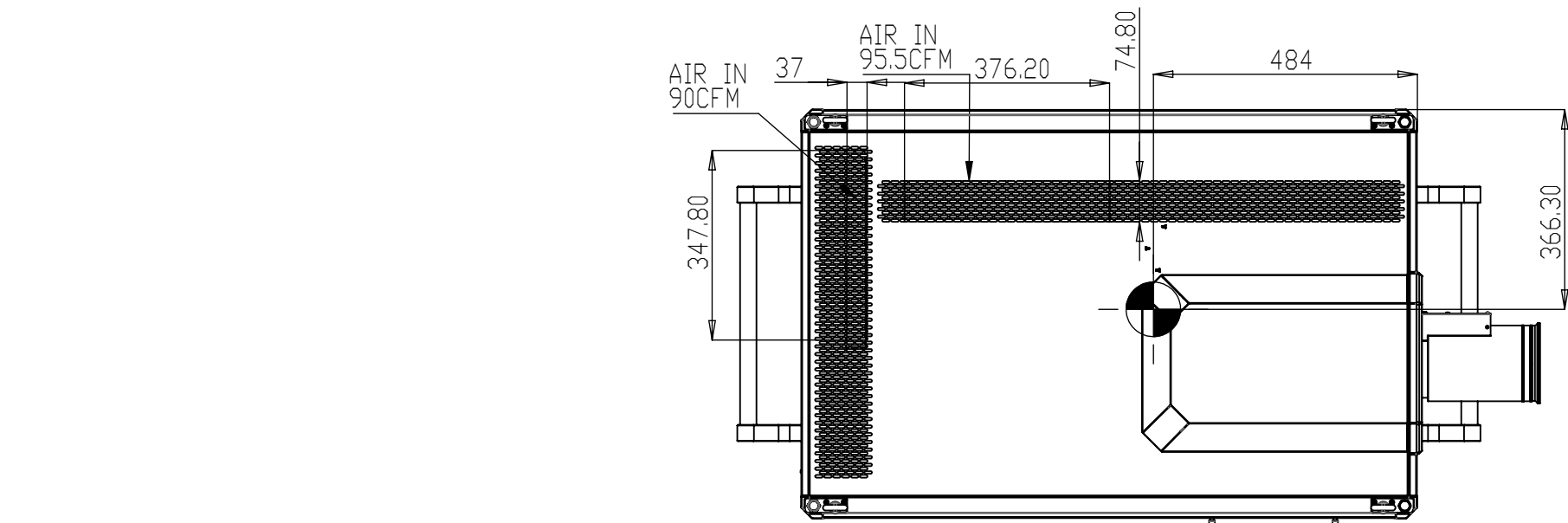
A2 DRG. No.

**PROPRIETARY INFORMATION**  
 This document contains proprietary information which is loaned to you in confidence for a specific purpose. It shall not be reproduced, copied, transmitted to other documents or other persons without the prior written permission of Digital Projection Ltd. It shall be returned immediately upon request.

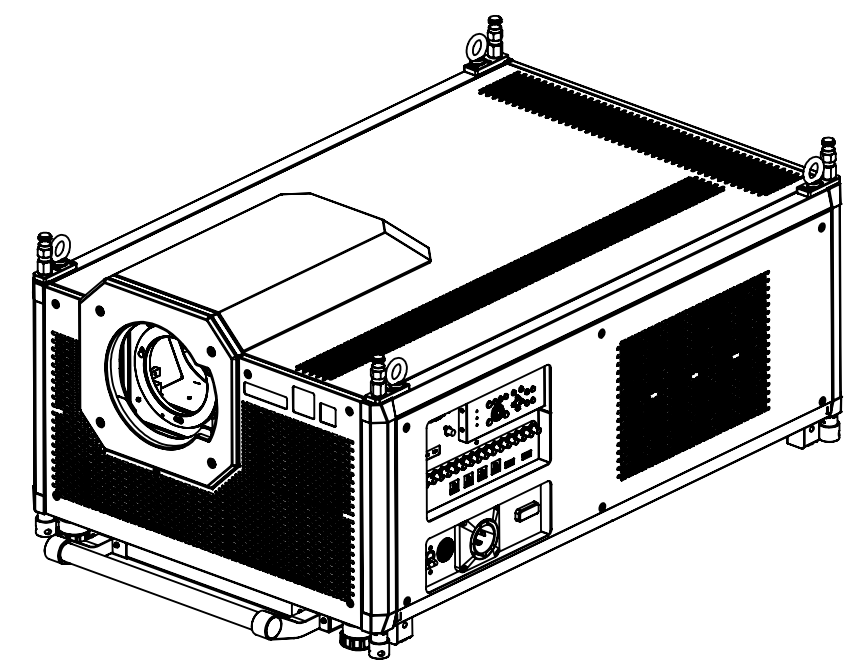
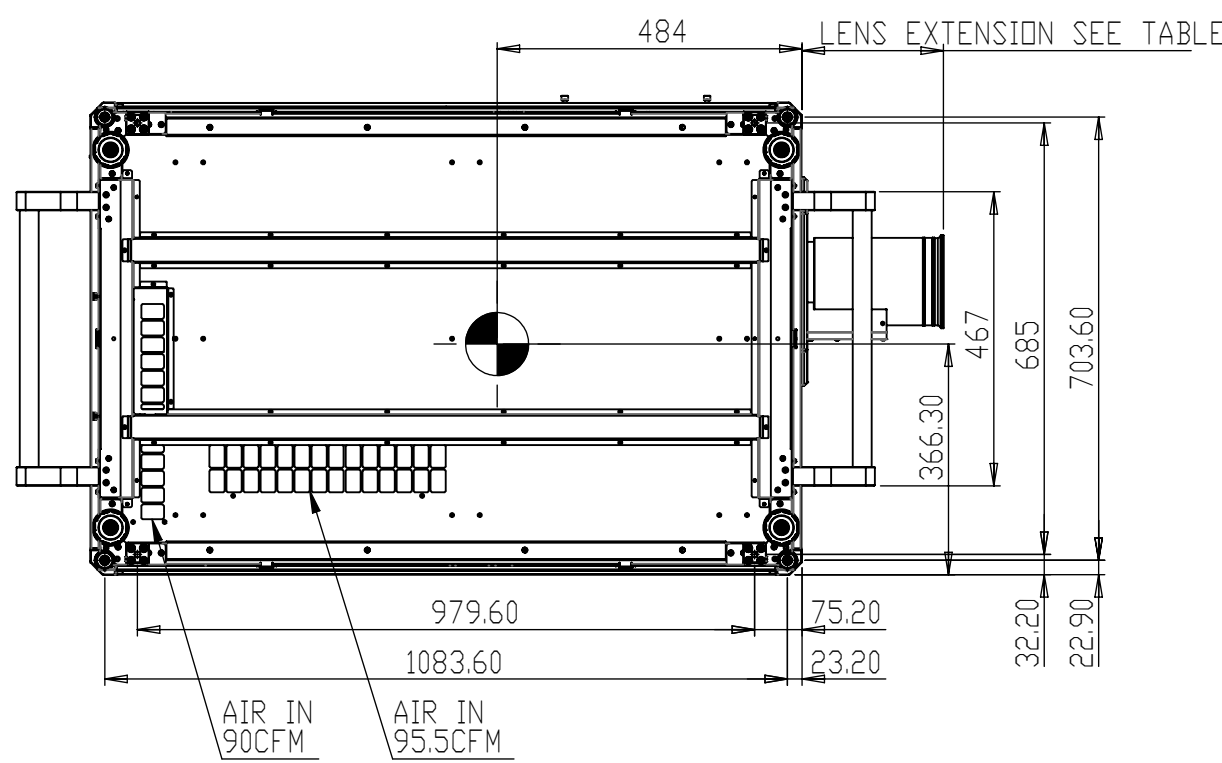
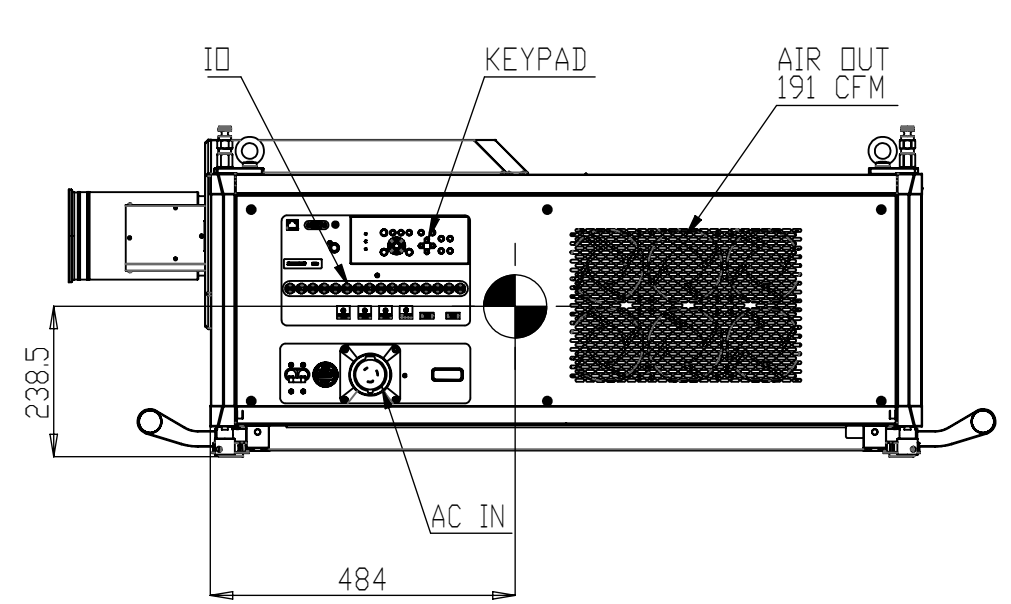
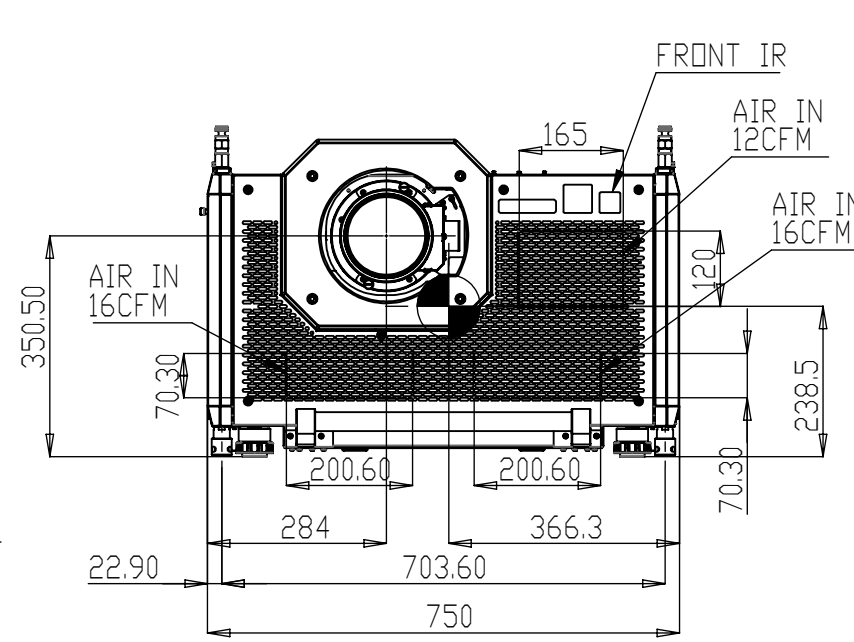
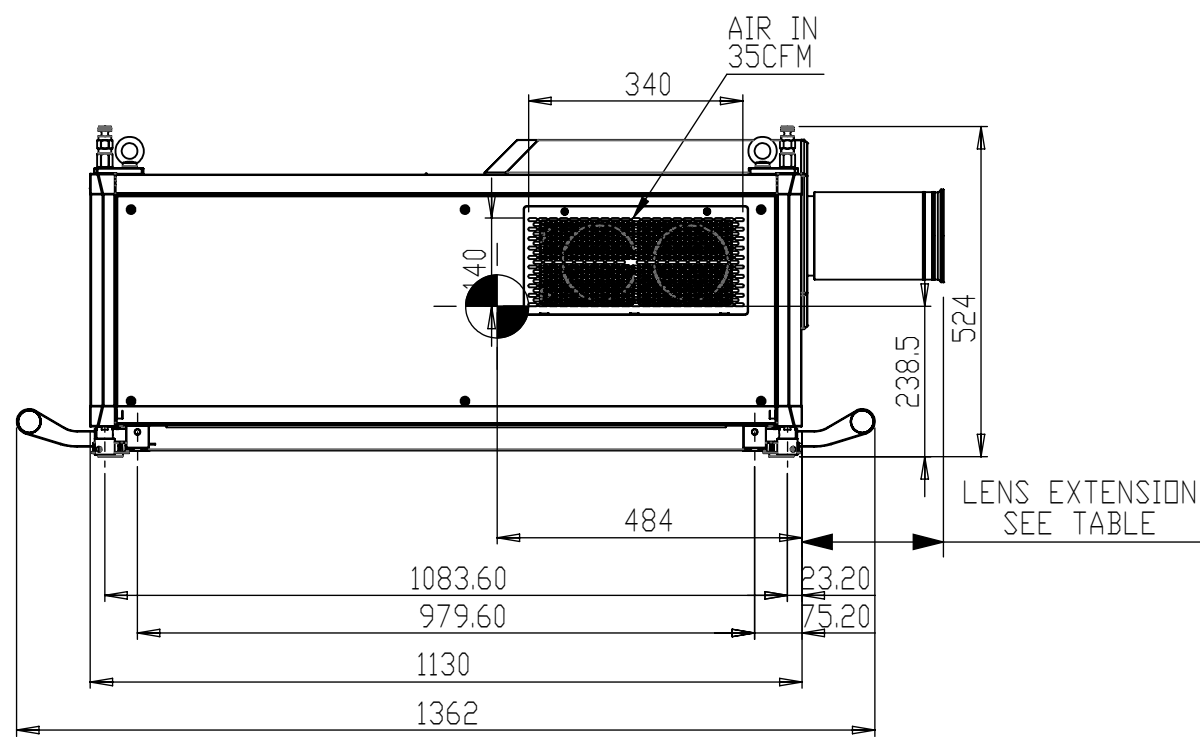
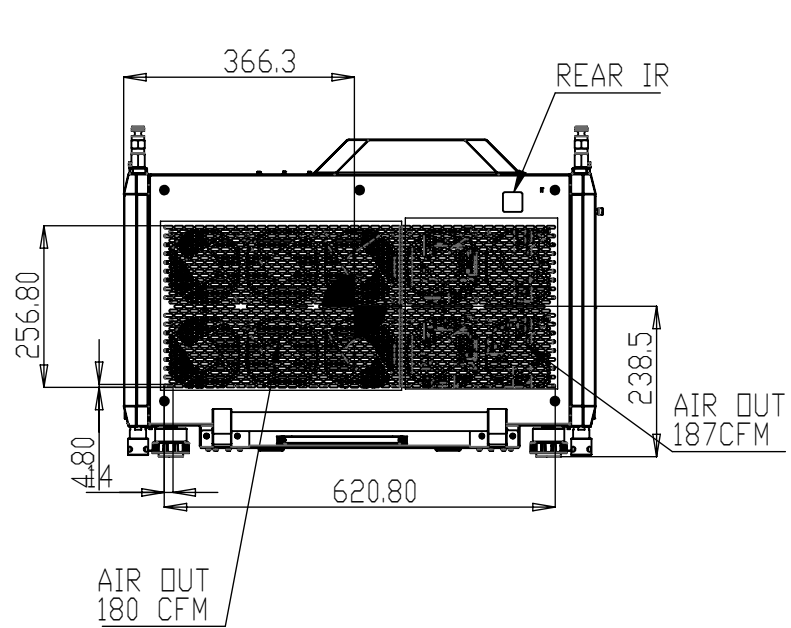
DRAWN BS 308  
 3rd Angle Projection



Distribution Code



LENS THROW RATIO	EXTENSION DIM.
1.13-1.72:1	224.5
1.65-2.6:1	193.7
2.53-4.98:1	193.7



PRE REVS	ITEM	DESCRIPTION	REFER TO	No OFF	REMARKS
7					
6					
5					
4					
3					
2					
1					

MATERIAL	
CODE	
FINISH	

CAD GENERATED DRAWING  
 DO NOT MAKE MANUAL CHANGES

LAST CHANGE

DATE OF ISSUE 21-7-22

TOLERANCES UNLESS OTHERWISE STATED	Unless Otherwise Stated	DIMENSIONS IN MILLIMETRES
METRIC: 1.000 ± 0.01	REMOVE ALL BURRS & SHARP EDGES. DO NOT SCALE DRAWING	FIRST USED ON
1.00 ± 0.1	THE SURFACE TEXTURE ROUGHNESS NUMBER OF MACHINED SURFACES SHOULD BE EQUAL TO OR LESS THAN 0.8um (N6 CLA32)	ORIGINAL SCALE 1:12
1.0 ± 0.2		DRAWN jchamley
1 ± 0.4		APP.ENG.
IMPERIAL Fractional ± 1/64"	REV. A	DATE 11-03-22
Decimal ± 0.005"	NOTE	
ANGLES ± 0° 30'	DRAWN jchamley	
	APP.DO.	
	DATE 21-07-22	

DIGITAL PROJECTION		MIDDLETON M24 1XX
TITLE	PROJECTOR, INSIGHT LASER 37000 - 8K	COMPONENT OR DRG.No. 120-782
A2 SHEET	1 OF 1	